

Accessories for 1-1/8" Forming Systems

Product Code	Description	List Price	Carton Qty.	Carton Weight
BT-2	Low-Cost Break-off Tool	\$8.75	50	42 lbs.
BT-10	TieBreaker premium tool	19.95	20	23
CC-22	Corner Clip, 22.5°	6.85	50	22
CC-30	Corner Clip, 30°	6.65	25	13
CC-45	Corner Clip, 45°	6.45	50	29
CC-90	Corner Clip, 90°	7.10	25	25
EC-100	Corner "E" Clip	2.05	100	35
HC-112	Panel Clip, 1 1/8" x 1-1/8"	4.15	50	19
HC-150	Stacking Clip, 1-1/8" x 1-1/2"	4.15	50	25
HSB-80	Hex Shoulder Bolt	0.26	500	22
OC-250	Offset Clip	2.80	50	23
RC-6	Resi-Coil™ Tie (100-900 pcs.)	2.10	100	26
	(1000-1900 pcs.)			
	(2000 or more)			
SP-1	Stacking Plate	4.25	100	35
ST-100	Hall Clip	1.55	250	29
TWC-425	Top Water Clamp, 3/4"	7.50	25	33
TWC-450	Top Water Clamp, 1-1/8"	7.50	25	34
TWC-475	Top Water Clamp, 1-1/4"	8.40	25	35
WB-6	Water Bracket, 6"	6.50	25	36
WBW-4	Water Bracket, 4" w/Wedge	8.95	25	35

Ordering and Shipping

Minimum Order
Our minimum order quantity is one carton of any item.

Shipping Methods
All of our products are boxed for shipment by UPS or on pallet by motor freight. Unless otherwise specified, we will ship Best Way. To qualify for economical UPS fluidweight rate, consider ordering 200 lbs or more at a time. We will ship most orders under 1000 lbs by UPS unless otherwise directed.

Shipping Charges
We strive to obtain the best rates from a number of carriers in order to minimize your freight costs. We will be happy to quote you freight charges when you order and send Prepay and Add. Or, if you prefer, we can use your carrier and send freight collect. All shipments are FOB Sandwich, MA 02563.

Free Freight
We pay the freight on any orders of \$500 or more shipping to a single address. For orders of any size, if we are out of stock on an item when you call, we'll send a partial and pick up the freight for shipping the balance.

Payment
Our standard terms are Net 30 days.

Other Forming Accessories

Product Code	Description	List Price	Carton Qty.	Carton Weight
BC-300	Box Form Clamp, 3"	83.95	25	22 lbs
BC-350	Box Form Clamp, 3-1/2"	3.95	25	22
BP-12	Steel Beam Pocket, 12"	38.00	5	39
HC-075	Panel Clip, 3/4" x 3/4" x 10-3/4"	4.15	50	20
RH-6	Rebar Hook, 1/2" coil rod to up to #6 rebar	2.35	100	37
	(1000-1900 pcs.)			
	(2000 or more)			
PCW-750	Plastic Cone Wrench, 3/4"	26.00	10	7
SCL-4	Coil-Lag™, 1/2" coil rod to 3/4" Lag Bar	3.40	100	36
	(1000-1900 pcs.)			
	(2000 or more)			
FN-250	For 2" foam (100pc retail boxes)	11.95	1000	18
FN-450	For 4" foam (100pc retail boxes)	13.95	1000	24
FN-550	For 5" foam (100pc retail boxes)	15.95	1000	27
FN-650	For 6" foam (50pc retail boxes)	10.95	500	17
	All foam that prices are per retail box. All items sold only in cartons of 10 retail boxes.			
LC-7-2	Loop-Coil™ Tie, 2" breakback (2000 or more)	3.10	100	30
	(1000-1900 pcs.)			
LC-6	Loop-Coil™ Tie, 1" breakback	2.10	100	28
AC-6	Aluma-Coil™ Tie	2.70	100	28
SC-14	Snap-Coil™ Tie, 4-3/4" end	2.10	100	29
SC-18	Snap-Coil™ Tie, 8-1/4" end	2.10	100	33

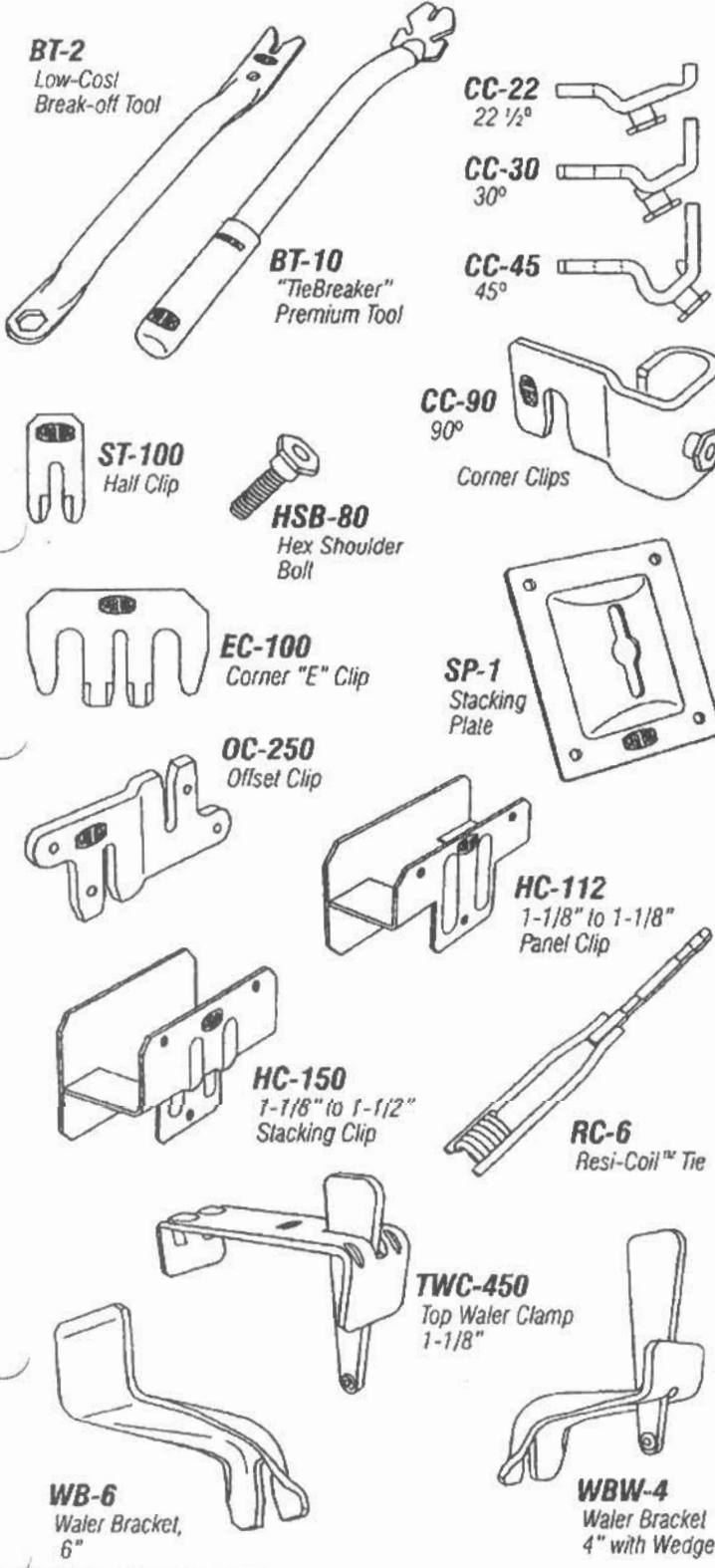
Footring Brackets and Stacking Spreaders

Product Code	Description	List Price	Carton Qty.	Carton Weight
FB-80	Stacking Spreader, 8"	10.00	10	22
FB-100	Stacking Spreader, 10"	10.30	10	24
FB-120	Stacking Spreader, 12"	10.80	10	26
FB-160	Footring Bracket, 16" Single	12.70	10	30
FB-160D	Footring Bracket, 16" Double	13.20	10	33
FB-180	Footring Bracket, 18" Single	13.40	10	32
FB-180D	Footring Bracket, 18" Double	13.70	10	35
FB-200	Footring Bracket, 20" Single	14.00	10	34
FB-200D	Footring Bracket, 20" Double	14.30	10	37
FB-240	Footring Bracket, 24" Single	15.20	10	38
FB-240D	Footring Bracket, 24" Double	15.60	10	41
FB-300	Footring Bracket, 30" Single	17.20	10	43
FB-360	Footring Bracket, 36" Single	19.40	10	46

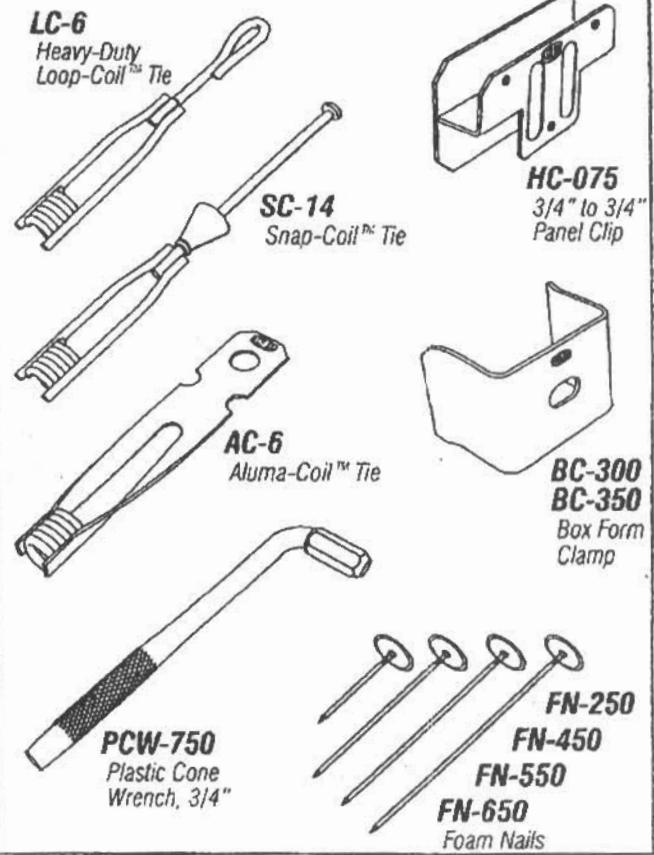
All Footring Brackets are made from high-strength steel and stamped with width in inches. Single brackets fit a single pair of 1-1/2" planks and are painted white; doubles fit where 1-1/2" planks overlap and are painted red.

SPECIAL SIZES:
For footring widths 9" to 35" and plank thickness from 1/2" to 2", \$75/lot charge. Cost each. Use next longer standard size. Painting 10pc Minimum. add \$0.95/ea.

Accessories for 1-1/8" Forming Systems



Other Forming Accessories



Footing Brackets and Stacking Spreaders

