

PREMIER 1 "HEAVY DUTY" ASSEMBLED FRAMES

18 GAUGE STEEL WITH WHITE FINISH

ASSEMBLED WINDOW FRAMES 8" WALL SIZE

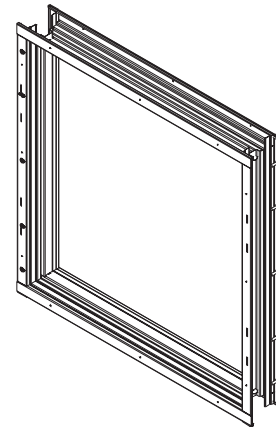
Size	Type	Part #	Weight/Ea.
3021	WHITE FRAME	UP1302108W	31.12
3036	WHITE FRAME	UP1303608W	37.52
4036	WHITE FRAME	UP1403608W	42.40
4040	WHITE FRAME	UP1404008W	45.00
5036	WHITE FRAME	UP1503608W	47.20
5040	WHITE FRAME	UP1504008W	49.80
6036	WHITE FRAME	UP1603608W	52.00
6040	WHITE FRAME	UP1604008W	54.60

ASSEMBLED WINDOW FRAMES 9" WALL SIZE

Size	Type	Part #	Weight/Ea.
3021	WHITE FRAME	UP130219W	32.98
3036	WHITE FRAME	UP130369W	39.98
4036	WHITE FRAME	UP140369W	45.20
4040	WHITE FRAME	UP140409W	47.80
5036	WHITE FRAME	UP150369W	50.40
5040	WHITE FRAME	UP150409W	53.00
6036	WHITE FRAME	UP160369W	55.50
6040	WHITE FRAME	UP160409W	58.10

ASSEMBLED WINDOW FRAMES 10" WALL SIZE

Size	Type	Part #	Weight/Ea.
3021	WHITE FRAME	UP1302110W	34.84
3036	WHITE FRAME	UP1303610W	42.44
4036	WHITE FRAME	UP1403610W	48.00
4040	WHITE FRAME	UP1404010W	50.60
5036	WHITE FRAME	UP1503610W	53.60
5040	WHITE FRAME	UP1504010W	56.20
6036	WHITE FRAME	UP1603610W	59.00
6040	WHITE FRAME	UP1604010W	61.60



NOTES:

Prices listed are for full and nominal walls.
All sizes are available with galvanized finish. List prices remain the same.

PREMIER 1 WINDOW BRACES

Size	Description	Part #
3021	PREMIER 1 WINDOW BRACE ROYAL BLUE	UP13021B
3036	PREMIER 1 WINDOW BRACE ROYAL BLUE	UP13036B
4036	PREMIER 1 WINDOW BRACE ROYAL BLUE	UP14036B
4040	PREMIER 1 WINDOW BRACE ROYAL BLUE	UP14040B

Custom braces available upon request.



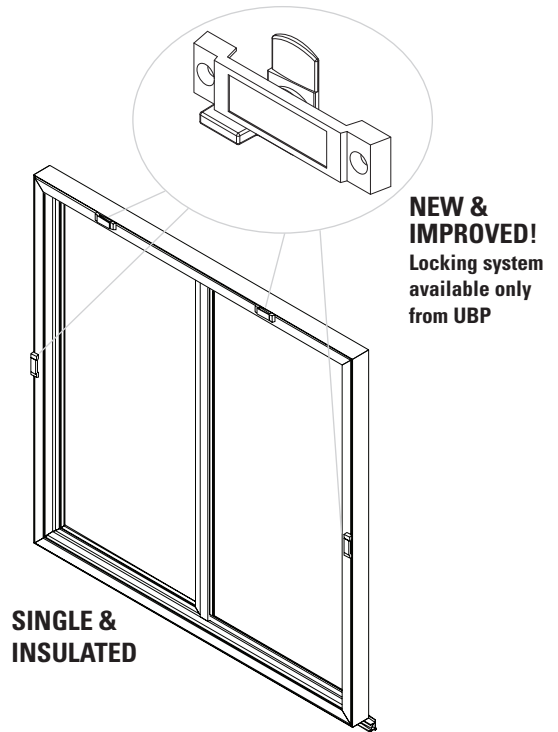
PREMIER 2 WINDOW GLASS INSERTS

VINYL SLIDER SINGLE GLAZE

Size	Description	Part #	Weight/Ea.
2630	SINGLE VINYL SLIDER P2	UP22630VS	29.00
2640	SINGLE VINYL SLIDER P2	UP22640VS	38.00
3021	SINGLE VINYL SLIDER P2	UP23021VS	29.00
3036	SINGLE VINYL SLIDER P2	UP23036VS	38.00
4036	SINGLE VINYL SLIDER P2	UP24036VS	41.00
4040	SINGLE VINYL SLIDER P2	UP24040VS	43.00

VINYL SLIDER INSULATED

Size	Description	Part #	Weight/Ea.
2630	INSULATED VINYL SLIDER P2	UP22630VIS	35.00
2640	INSULATED VINYL SLIDER P2	UP22640VIS	42.00
3021	INSULATED VINYL SLIDER P2	UP23021VIS	33.00
3036	INSULATED VINYL SLIDER P2	UP23036VIS	42.00
4036	INSULATED VINYL SLIDER P2	UP24036VIS	46.00
4040	INSULATED VINYL SLIDER P2	UP24040VIS	48.00
5040	INSULATED VINYL SLIDER P2	UP25040VIS	62.00
6040	INSULATED VINYL SLIDER P2	UP26040VIS	79.00



PREMIER 2 WINDOW ACCESSORIES

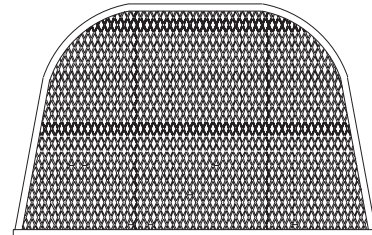
REPLACEMENT PARTS

Size	Description	Part #
2630	REPLACEMENT SCREEN VINYL P2	UP2VS2630
2640	REPLACEMENT SCREEN VINYL P2	UP2VS2640
3021	REPLACEMENT SCREEN VINYL P2	UP2VS3021
3036	REPLACEMENT SCREEN VINYL P2	UP2VS3036
4036	REPLACEMENT SCREEN VINYL P2	UP2VS4036
4040	REPLACEMENT SCREEN VINYL P2	UP2VS4040
5040	REPLACEMENT SCREEN VINYL P2	UP2VS5040
6040	REPLACEMENT SCREEN VINYL P2	UP2VS6040
2630	REPLACEMENT SINGLE VINYL VENT P2	UP2SV2630
2640	REPLACEMENT SINGLE VINYL VENT P2	UP2SV2640
3021	REPLACEMENT SINGLE VINYL VENT P2	UP2SV3021
3036	REPLACEMENT SINGLE VINYL VENT P2	UP2SV3036
4036	REPLACEMENT SINGLE VINYL VENT P2	UP2SV4036
4040	REPLACEMENT SINGLE VINYL VENT P2	UP2SV4040
2630	REPLACEMENT INS VINYL VENT P2	UP2VI2630
2640	REPLACEMENT INS VINYL VENT P2	UP2VI2640
3021	REPLACEMENT INS VINYL VENT P2	UP2VI3021
3036	REPLACEMENT INS VINYL VENT P2	UP2VI3036
4036	REPLACEMENT INS VINYL VENT P2	UP2VI4036
4040	REPLACEMENT INS VINYL VENT P2	UP2VI4040
5040	REPLACEMENT INS VINYL VENT P2	UP2VI5040
6040	REPLACEMENT INS VINYL VENT P2	UP2VI6040
FRAME LATCH FOR P2 WINDOWS		UP2FL175

PREMIER 1 "HEAVY DUTY" AREA WELL ACCESSORIES

PREMIER 1 WINDOW WELL GRATES

Size	Description	Part #	Weight/Ea.
4020	WINDOW WELL GRATE	WWG4020BK	23.00
4024	WINDOW WELL GRATE	WWG4024BK	25.00
4624	WINDOW WELL GRATE	WWG4624BK	28.00
4636	WINDOW WELL GRATE	WWG4636BK	41.00
5224	WINDOW WELL GRATE	WWG5224BK	31.00
5236	WINDOW WELL GRATE	WWG5236BK	43.00
5624	WINDOW WELL GRATE	WWG5624BK	31.00
5636	WINDOW WELL GRATE	WWG5636BK	47.00
6424	WINDOW WELL GRATE	WWG6424BK	37.00
6436	WINDOW WELL GRATE	WWG6436BK	53.00
6824	WINDOW WELL GRATE	WWG6824BK	38.00
6836	WINDOW WELL GRATE	WWG6836BK	54.00
7624	WINDOW WELL GRATE	WWG7624BK	43.00
7636	WINDOW WELL GRATE	WWG7636BK	61.00
8024	WINDOW WELL GRATE	WWG8024BK	43.00
8036	WINDOW WELL GRATE	WWG8036BK	62.00



PLASTIC COVERS FOR WINDOW WELL GRATES

Size	Description	Part #
4020	P1 PLASTIC COVER	UP1CVR4020
4024	P1 PLASTIC COVER	UP1CVR4024
5224	P1 PLASTIC COVER	UIPCVR5224
5236	P1 PLASTIC COVER	UP1CVR5236
5624	P1 PLASTIC COVER	UP1CVR5624
5636	P1 PLASTIC COVER	UP1CVR5636



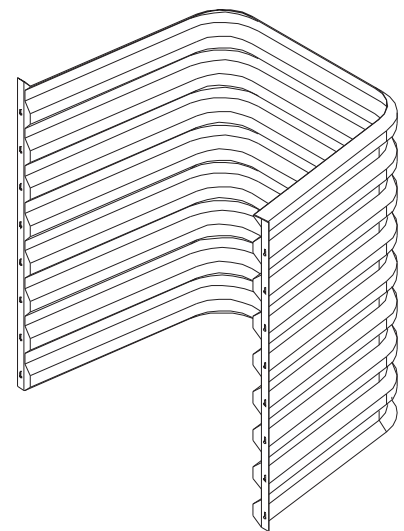
Custom sizes available upon request.



PREMIER 1 "HEAVY DUTY" AREA WELL

WINDOW WELL - BUCK MOUNT

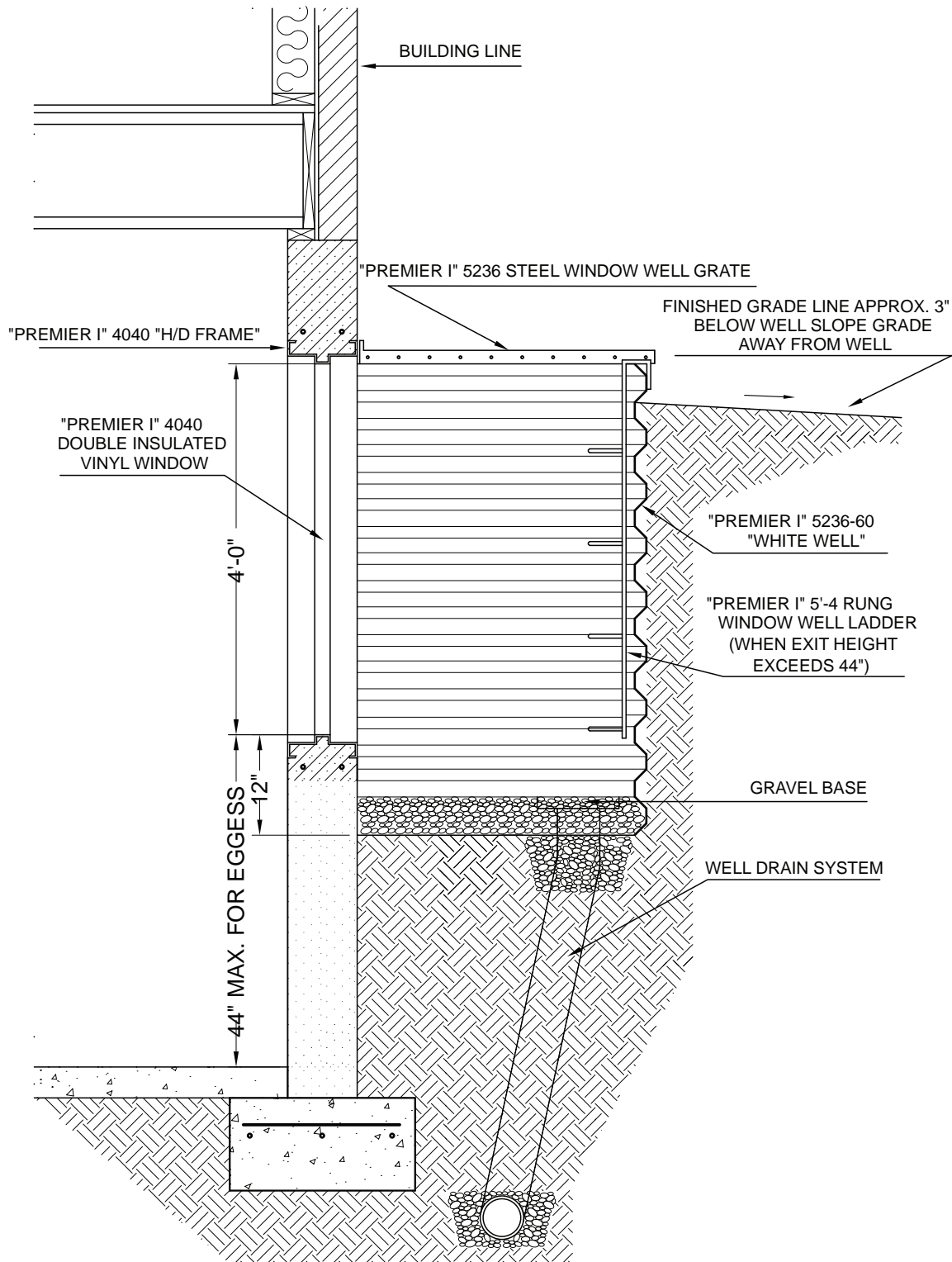
Width & Projection	Height	Description	Part #	Weight/ Each	Compatible with Frame Size
4020	12"	P1 WHITE AREA WELL	UP1402012W	15.00	3021
4020	24"	P1 WHITE AREA WELL	UP1402024W	23.00	
4020	36"	P1 WHITE AREA WELL	UP1402036W	35.00	
<hr/>					
4024	12"	P1 WHITE AREA WELL	UP1402412W	16.00	3036
4024	24"	P1 WHITE AREA WELL	UP1402424W	25.00	
4024	36"	P1 WHITE AREA WELL	UP1402436W	39.00	
4024	48"	P1 WHITE AREA WELL	UP1402448W	49.00	
4024	60"	P1 WHITE AREA WELL	UP1402460W	62.00	
4024	72"	P1 WHITE AREA WELL	UP1402472W	79.00	
4024	84"	P1 WHITE AREA WELL	UP1402484W	94.00	
<hr/>					
5224	12"	P1 WHITE AREA WELL	UP1522412W	19.00	4036 4040
5224	24"	P1 WHITE AREA WELL	UP1522424W	29.00	
5224	36"	P1 WHITE AREA WELL	UP1522436W	45.00	
5224	48"	P1 WHITE AREA WELL	UP1522448W	57.00	
5224	60"	P1 WHITE AREA WELL	UP1522460W	72.00	
5224	72"	P1 WHITE AREA WELL	UP1522472W	90.00	
5224	84"	P1 WHITE AREA WELL	UP1522484W	102.00	
<hr/>					
5236	12"	P1 WHITE AREA WELL	UP1523612W	23.00	4036 4040
5236	24"	P1 WHITE AREA WELL	UP1523624W	36.00	
5236	36"	P1 WHITE AREA WELL	UP1523636W	55.00	
5236	48"	P1 WHITE AREA WELL	UP1523648W	68.00	
5236	60"	P1 WHITE AREA WELL	UP1523660W	87.00	
5236	72"	P1 WHITE AREA WELL	UP1523672W	109.00	
5236	84"	P1 WHITE AREA WELL	UP1523684W	124.00	
<hr/>					
6424	12"	P1 WHITE AREA WELL	UP1642412W	21.00	5036 5040
6424	24"	P1 WHITE AREA WELL	UP1642424W	33.00	
6424	36"	P1 WHITE AREA WELL	UP1642436W	51.00	
6424	48"	P1 WHITE AREA WELL	UP1642448W	65.00	
6424	60"	P1 WHITE AREA WELL	UP1642460W	82.00	
6424	72"	P1 WHITE AREA WELL	UP1642472W	103.00	
6424	84"	P1 WHITE AREA WELL	UP1642484W	116.00	
<hr/>					
6436	12"	P1 WHITE AREA WELL	UP1643612W	25.00	5036 5040
6436	24"	P1 WHITE AREA WELL	UP1643624W	40.00	
6436	36"	P1 WHITE AREA WELL	UP1643636W	61.00	
6436	48"	P1 WHITE AREA WELL	UP1643648W	76.00	
6436	60"	P1 WHITE AREA WELL	UP1643660W	97.00	
6436	72"	P1 WHITE AREA WELL	UP1643672W	121.00	
6436	84"	P1 WHITE AREA WELL	UP1643684W	138.00	
<hr/>					
7624	12"	P1 WHITE AREA WELL	UP1762412W	24.00	6036 6040 6050
7624	24"	P1 WHITE AREA WELL	UP1762424W	38.00	
7624	36"	P1 WHITE AREA WELL	UP1762436W	58.00	
7624	48"	P1 WHITE AREA WELL	UP1762448W	72.00	
7624	60"	P1 WHITE AREA WELL	UP1762460W	92.00	
7624	72"	P1 WHITE AREA WELL	UP1762472W	115.00	
7624	84"	P1 WHITE AREA WELL	UP1762484W	131.00	
<hr/>					
7636	12"	P1 WHITE AREA WELL	UP1763612W	28.00	6036 6040 6050
7636	24"	P1 WHITE AREA WELL	UP1763624W	44.00	
7636	36"	P1 WHITE AREA WELL	UP1763636W	67.00	
7636	48"	P1 WHITE AREA WELL	UP1763648W	84.00	
7636	60"	P1 WHITE AREA WELL	UP1763660W	107.00	
7636	72"	P1 WHITE AREA WELL	UP1763672W	134.00	
7636	84"	P1 WHITE AREA WELL	UP1763684W	152.00	



DESIGNED TO ANCHOR TO THE BOLTS PROVIDED IN THE WINDOW FRAMES

All Premier 1 wells come standard with plastic cap strip on top of well.

PREMIER 1 INSTALLATION GUIDE



WALL SECTION THROUGH WINDOW WELL



WINDOW ACCESSORIES

WINDOW WELL LADDERS

Size	Description	Part #	Weight/Ea.
4'0"	3 RUNG LADDER	WWL43R	9.00
5'0"	4 RUNG LADDER	WWL54R	11.50
6'0"	5 RUNG LADDER	WWL65R	13.00
7'0"	6 RUNG LADDER	WWL76R	15.00

Custom sizes available upon request



AREA WELL WASHERS

Packaging/Box	Description	Part #
500	AREA WELL WASHER	UP1WW



WINDOW SLIDER LATCH

Packaging/Bag	Description	Part #
24	WINDOW SLIDER LATCH FOR P1 & P2	WSL1316

