

NO.	DATE	DESCRIPTION

* REFER TO EQUIPMENT MANUFACTURER'S SHOP DRAWING

PLAN SHEET DESIGNATION

COVER
 G - GENERAL
 H - HAZARDOUS MATERIALS
 C - CIVIL
 L - LANDSCAPE
 S - STRUCTURAL
 A - ARCHITECTURAL
 I - INSTRUMENTATION
 E - EQUIPMENT
 F - FIRE PROTECTION
 P - PLUMBING
 M - MECHANICAL
 T - TELECOMMUNICATIONS
 R - RESOURCE

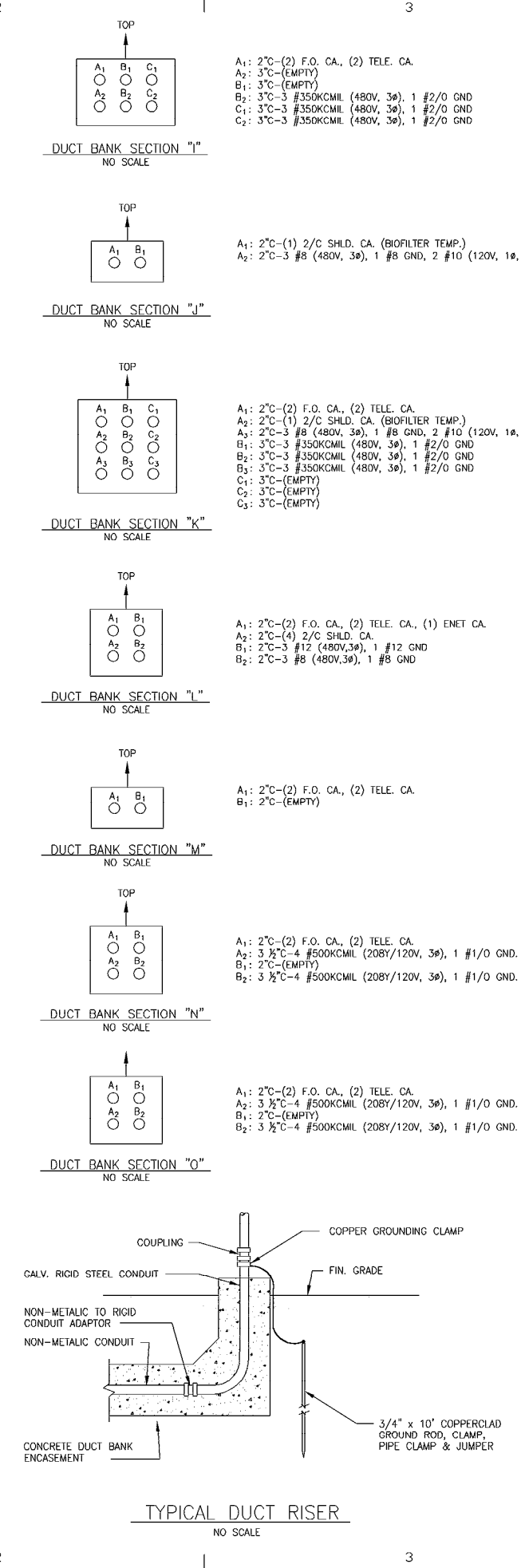
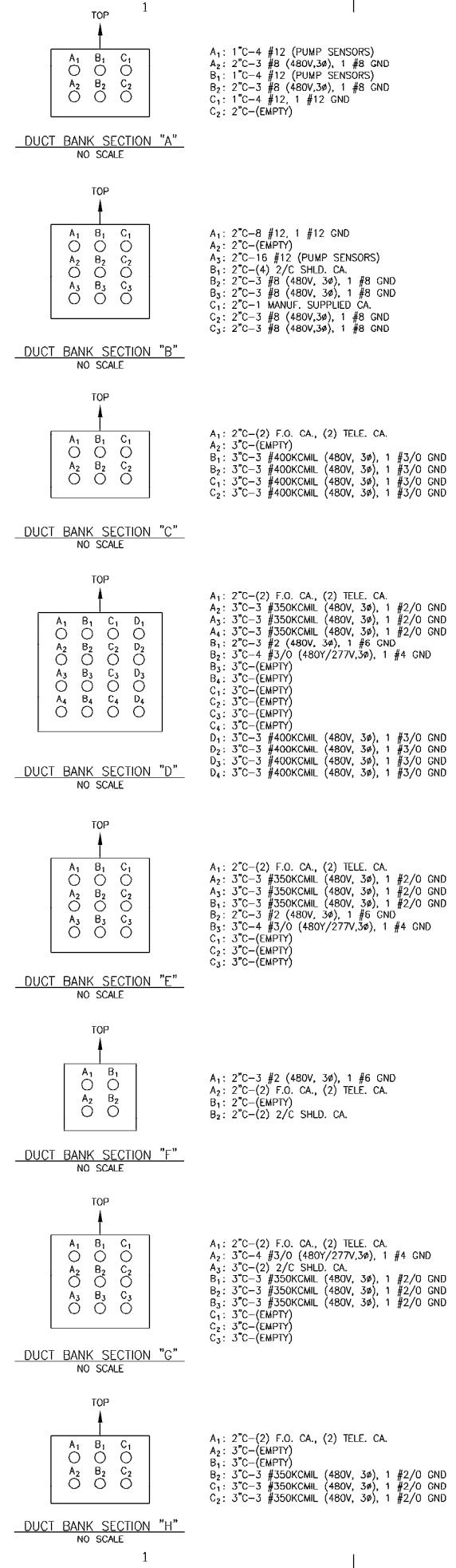
PROJECT NO: 071731.40

SCALE: AS NOTED
 DRAWING DATE: 3/30/09
 DESIGNED BY: OKA
 DRAWN BY: SLE
 CHECKED BY: DJM

VILLAGE OF ITASCA, ILLINOIS

WASTEWATER TREATMENT PLANT RELOCATION

MISCELLANEOUS ELECTRICAL DETAILS



Note Engineer
 Approved 2-U shaped
 Cages not as shown
 here.

