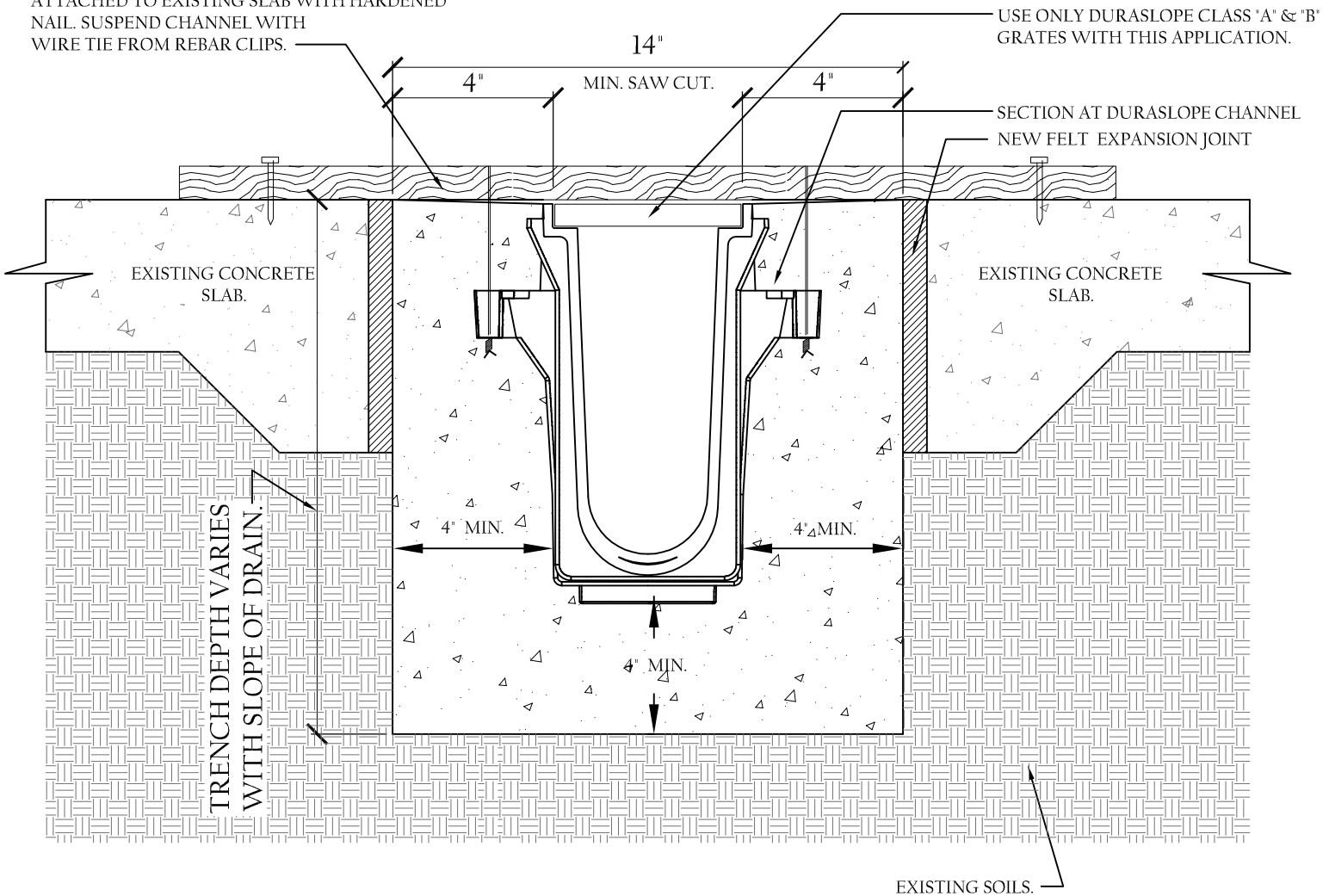


2x4 WOOD MEMBER SUSPENSION METHOD.  
 ATTACHED TO EXISTING SLAB WITH HARDENED  
 NAIL. SUSPEND CHANNEL WITH  
 WIRE TIE FROM REBAR CLIPS.



USE ONLY DURASLOPE CLASS 'A' & 'B'  
 GRATES WITH THIS APPLICATION.

SECTION AT DURASLOPE CHANNEL  
 NEW FELT EXPANSION JOINT

EXISTING CONCRETE  
 SLAB.

EXISTING CONCRETE  
 SLAB.

TRENCH DEPTH VARIES  
 WITH SLOPE OF DRAIN.

EXISTING SOILS.

**NOTE:**

CHANNELS TO BE INSTALLED WITH BLANK GRATE. GRATE  
 TO BE PROTECTED FROM CONCRETE POUR  
 (COVER HOLES WITH TAPE).

SET TRENCH DRAIN IN CHANNEL SURROUNDED BY 4" OF CONCRETE OR  
 THICKNESS OF THE CONCRETE SLAB WITH A MINIMUM OF 2,500 P.S.I.  
 AVOID FULL LOAD TRAFFIC FOR 28 DAYS OR UNTIL CONCRETE HAS  
 COMPLETELY HARDENED.

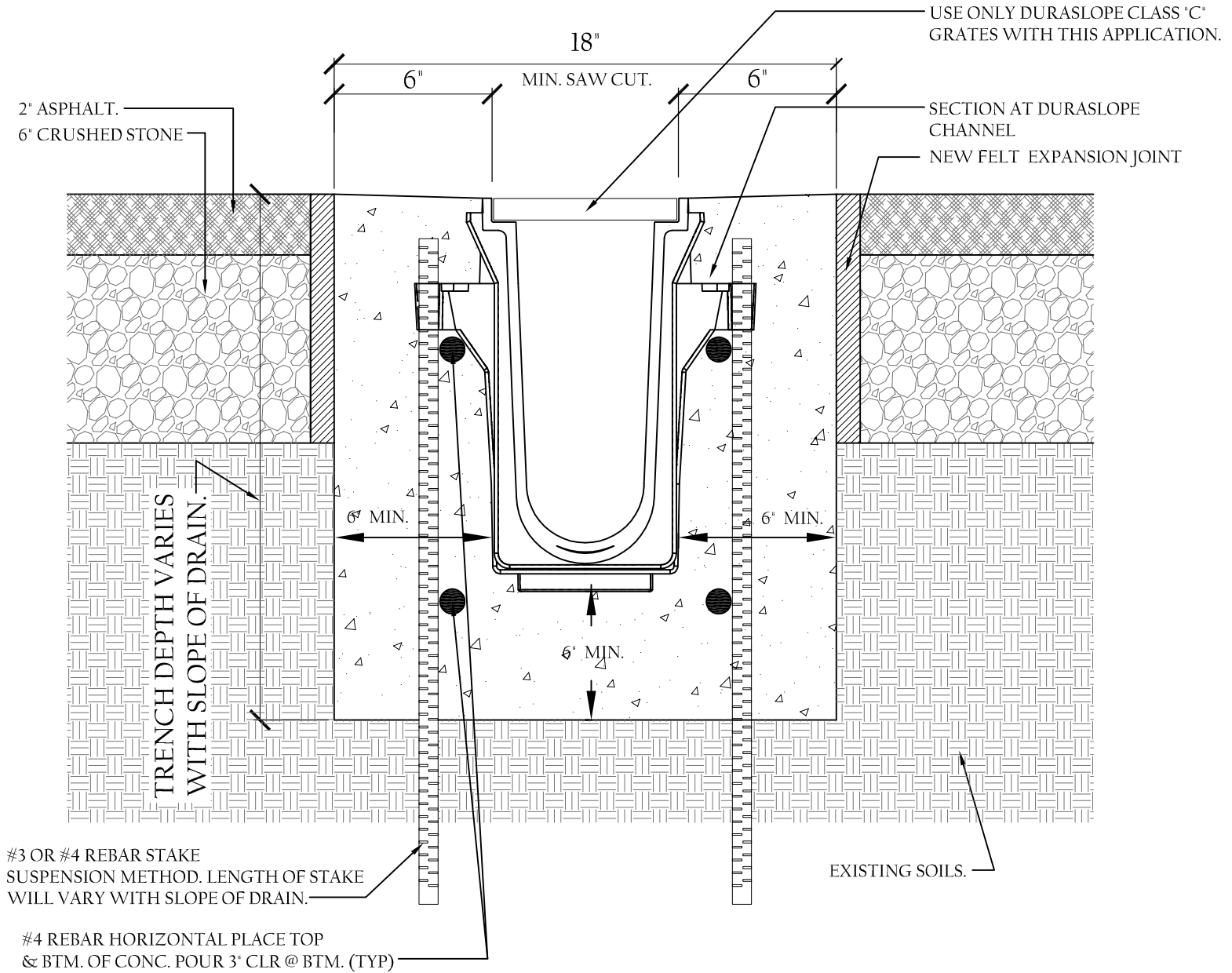


TECHNICAL SERVICES  
 1-888-825-4716  
 techservice@ndspro.com

**TYPICAL DURASLOPE INSTALLATION**

CLASS 'A' & 'B' 4" LOAD APPLICATION FOR CONCRETE / WOOD MEMBER SUSPENSION METHOD.

N. T. S.



**NOTE:**

CHANNELS TO BE INSTALLED WITH BLANK GRATE. GRATE TO BE PROTECTED FROM CONCRETE POUR (COVER HOLES WITH TAPE).

SET TRENCH DRAIN IN CHANNEL SURROUNDED BY 6" OF CONCRETE OR THICKNESS OF THE CONCRETE SLAB WITH A MINIMUM OF 3,500 P.S.I. AVOID FULL LOAD TRAFFIC FOR 28 DAYS OR UNTIL CONCRETE HAS COMPLETELY HARDENED.

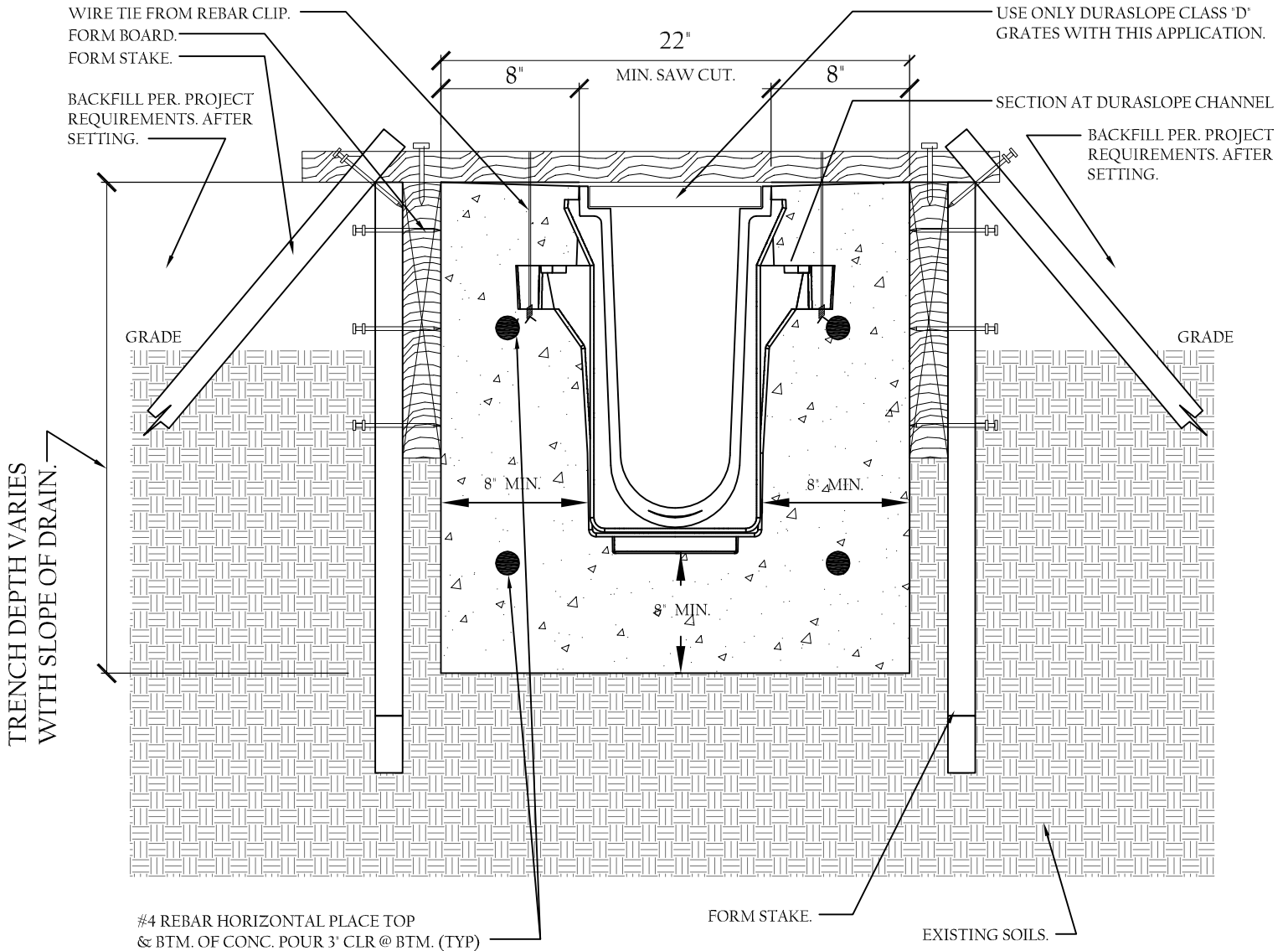


TECHNICAL SERVICES  
1-888-825-4716  
techservice@ndspro.com

# TYPICAL DURASLOPE INSTALLATION

CLASS "C" 6" LOAD APPLICATION FOR CONCRETE / REBAR SUSPENSION METHOD W/ ASPHALT.

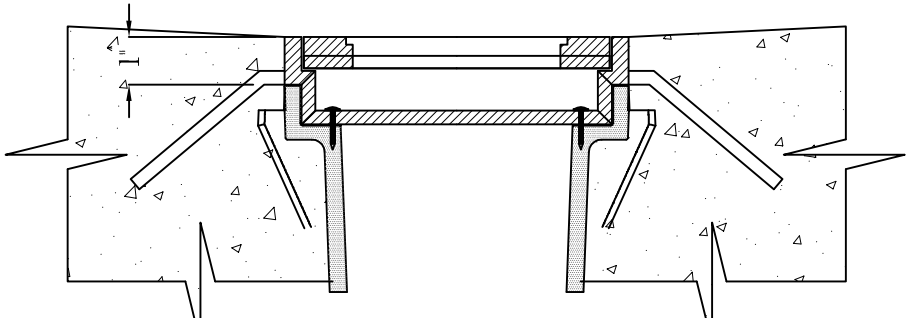
N.T.S.



#4 REBAR HORIZONTAL PLACE TOP & BTM. OF CONC. POUR 3' CLR @ BTM. (TYP)

FORM STAKE.

EXISTING SOILS.



**DS-200 FRAME**

**NOTE:**

CHANNELS TO BE INSTALLED WITH BLANK GRATE. GRATE TO BE PROTECTED FROM CONCRETE POUR (COVER HOLES WITH TAPE).

SET TRENCH DRAIN IN CHANNEL SURROUNDED BY 8" OF CONCRETE OR THICKNESS OF THE CONCRETE SLAB WITH A MINIMUM OF 3,500 P.S.I. AVOID FULL LOAD TRAFFIC FOR 28 DAYS OR UNTIL CONCRETE HAS COMPLETELY HARDENED.

**TYPICAL DURASLOPE INSTALLATION**

CLASS 'D' 8' LOAD APPLICATION FOR CONCRETE / FORM BOARD SUSPENSION METHOD



TECHNICAL SERVICES  
1-888-825-4716  
techservice@ndspro.com

N. T. S.