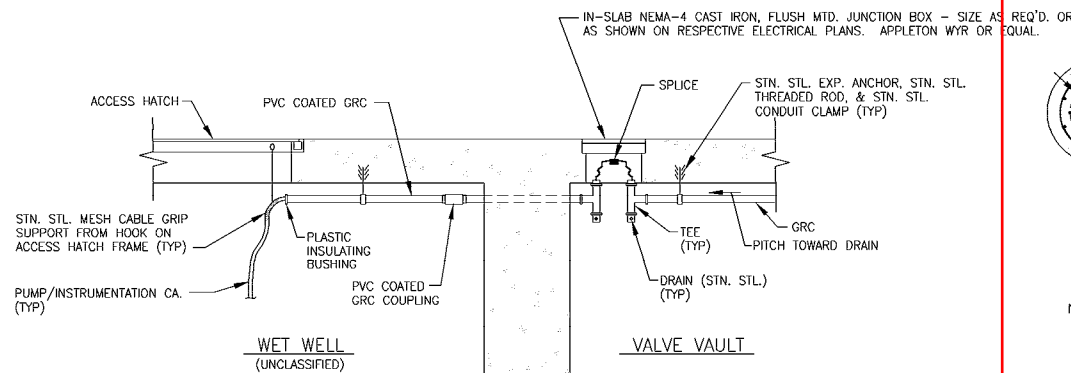
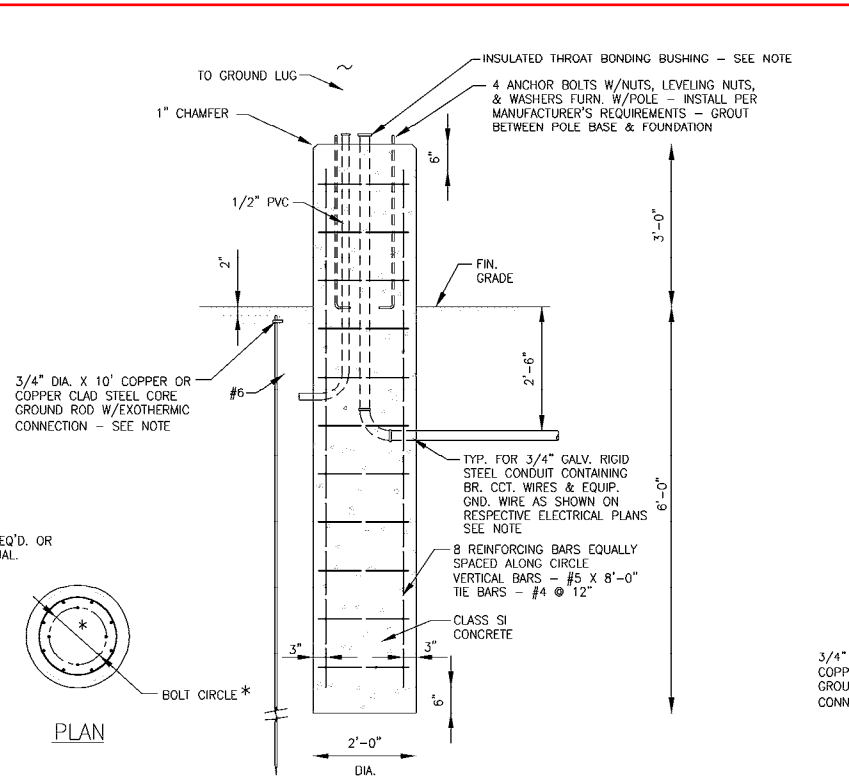


XP INTERMEDIATE JUNCTION BOX ASSEMBLY
NO SCALE

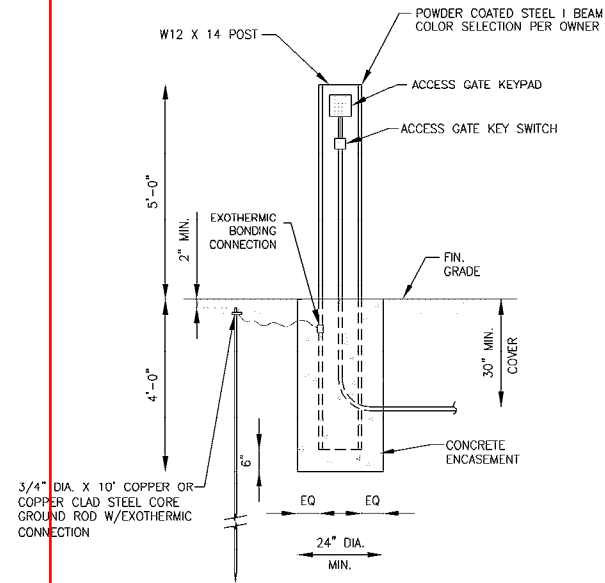


INTERMEDIATE JUNCTION BOX ASSEMBLY
NO SCALE

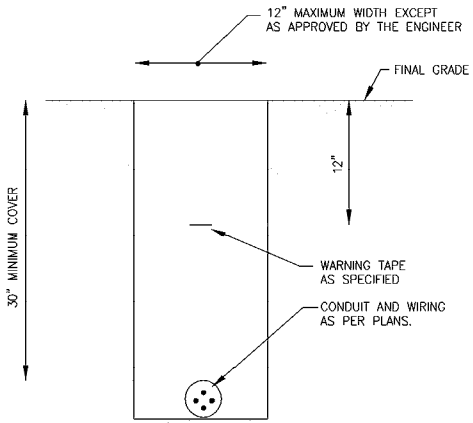


NOTE: BOND EQUIPMENT GROUND WIRE TO # 6 GROUND ROD WIRE WITH SPLIT BOLT CONNECTOR. PROVIDE INSULATED THROAT BONDING BUSHING ON METALLIC CONDUIT AT BASE OF POLE, BONDED SAME AS EQUIPMENT GROUND WIRES.

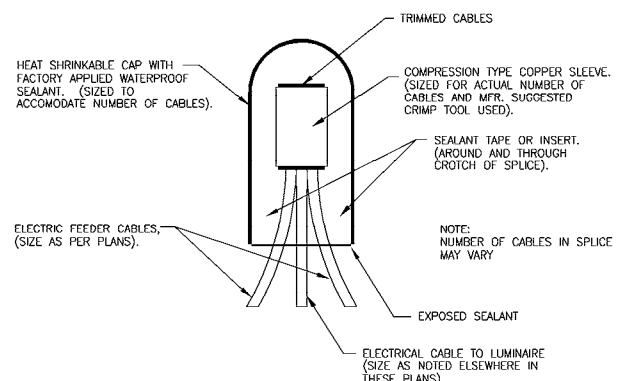
TYPE "B" LIGHTING FIXTURE FOUNDATION DETAIL
NO SCALE



GATE ACCESS TERMINAL NO. 1a, 1b, & 2
SCALE: 1/2" = 1'-0"



TYPICAL CONDUIT AND WIRING IN TRENCH DETAIL
NO SCALE



SPlicing LUMINAIRE ELECTRICAL CABLES
BASIC MATERIALS AND METHODS
NO SCALE

FIXTURE DESIGNATION	NUMBER	WATT/LAMP	LAMPS						MANUFACTURER AND CAT. NUMBER	GENERAL FIXTURE DESCRIPTION	COLOR & FINISH				MOUNTING		SIZE			REMARKS	
			FLOOR	INCAN	HALOGEN	HP SOD	MET. HAL.	FLUOR. Start. (H)			LED	LAMP NO.	WHITE	BLACK	ALUMINUM	STANDARD	SPECIAL	S-SURFACE R-RECESSED SM-STEM MTD WM-WALL MTD C-CBLING	WIDTH		LENGTH
"A1"	1	100					X		P.S.	LSI #CHVS-F1-100-1H-F-120-BLK-PC120	OUTDOOR WALL SCONCE - SMALL	X				WM	17 5/8"	9 5/8"	8 3/4"		
"A2"	1	250					X		P.S.	LSI #CHWM-F1-250-1H-F-120-BLK-PC120	OUTDOOR WALL SCONCE - MEDIUM	X				WM	20"	13 7/16"	10 3/4"		
"B"	1	250					X		P.S.	LSI #CHWM-F1-250-1H-F-120-BLK-PC120	OUTDOOR SITE LIGHT	X				SEE NOTE					FLUOR. ACCESSORY REQ'D FOR POLE MOUNT
"C1"	1	28	X						T5	LSI #E34-1-28-SS5-WL-120	INDOOR VAPORTIGHT - SINGLE		X			SM	3 15/16"	4 0"	3 15/16"		
"C2"	2	28	X						T5	LSI #E34-2-28-SS5-WL-120	INDOOR VAPORTIGHT - DOUBLE		X			SM	5 9/32"	4 0"	3 15/16"		
"C3"	2	28	X						T5	LSI #E34-2-28-SS5-WL-120	INDOOR VAPORTIGHT - DOUBLE		X			VM-8-0" A.F.F.					WALL MOUNT ON 45 DEGREE STN. STL. ANGLE
"D"	2	32	X						T8	LDR #394-285-4-A	MARINE LOCATION FIXTURE			X		WM	8 5"	51 6"	8 3"		FOR TRUCK WASH BAY
"D1"	2	28	X						T5	LSI #E34-2-28-SS5-WL-120	INDOOR VAPORTIGHT - DOUBLE		X			VM-8-0" A.F.F.					WALL MOUNT ON 45 DEGREE STN. STL. ANGLE
"D2"	2	28	X						T5	LSI #E34-2-28-SS5-WL-120	INDOOR VAPORTIGHT - DOUBLE		X			CM					
"E1"	2	32	X						T8	LSI 2LLC-G-2-32-RPW-SSOR-UE	INDOOR OFFICE FIXTURE - RECESSED			X		R	2"	4"	5 5"		
"E2"	2	32	X						T8	LSI 2LLC-S-2-32-RPW-SSOR-UE	INDOOR OFFICE FIXTURE - SURFACE			X		S	2"	4"	5 5"		
"EX1"	-	-	-	-	-	-	-	-	-	MAXLUME ELX-625-RW-2	DUAL FACE RED LED EXIT BATT. BACKUP WALL MOUNT	X				WM	14"	9"	2"		
"EX2"	2	2						X	-	MAXLUME ELX-LED-708-RW	SINGLE FACE RED LED EXIT BATT. BACKUP LIGHT	X				WM	21"	10"	4 5"		
"EX3"	2	3.8			X				-	MAXLUME ELX-719-R	SINGLE FACE RED LED EXIT BATT. LIGHT W/ET LOC	X				WM	13"	9"	2"		
"EX4"	2	3.8			X				-	MAXLUME ELX-625-RW-2	DUAL FACE RED LED EXIT BATT. BACKUP WALL MOUNT	X				CM					
"BEM1"	2	28								APPLETON ELX-2-28-12-G	XP BATT. LIGHT W/EXIT		X			WM					W/SINGLE EXIT SIGN BATT. 1R
"F1"	4	80	X							DRY BRITE HARL-4-80-W/UN-U-41-BB	LOW BAY FLUOR.		X			CM					MTD ON STEM 13'-0" A.F.F.
"G1"	1	50	X							STONCO #1NRS-50-NLX-L1	WALL MOUNT PRESS.		X			S					MTD TO RAILING 3'-0" A.F.F.
"L1"	1	400					X			LSI CH2-400-PSW-MT-A25-LM	LOW BAY, 400W/4M PULSE START		X			C	25"	25"	31"		TYPE V OPTICS
"L2"	1	400					X			LSI CH2-400-PSW-MT-A25-LM & EQ	LOW BAY, 400W/4M PULSE START, BATT. QUARTZ		X			C	25"	25"	31"		TYPE V OPTICS
"M"	2	32W	X						OCT	FRIG LIGHTING S336-232-A	UNDERCABINET LIGHTING		X			SM	7"	48 25"	3"		MOUNT UNDER CABINET
"R1"	1	13	X							APPLETON RL536 & RE-VHL100N & RE-PBS-2	50' 16-3 CORD REEL W/ NEMA 4X LAMP AND BALL STOP		X			WM	5.12"	12.28"	11.63"		
"R2"	1	100								APPLETON AERL22-RB5	50' 16-3 CORD REEL, XP RATED, LAMP INCLUDED		X			WM	18"	15.25"	18"		
"XP1"	2	28	X						T5	LDR #390-T5-2L-4-120	INDOOR XP FIXTURE		X			SM	9"	53 5/8"	7 1/4"		
"XR2"	1	400						X		APPLETON CP84010-MT-CP844AN-CGL-400-CGU4	INDOOR XP FIXTURE		X			WM					
"XP3"	1	40						X		APPLETON OS-B-B-75-12GAC-REG	XP RED BEACON LIGHT W/ GUARD		X			WM	7.8"	13.88"	13.75"		
"XPE1"	2	18	X							APPLETON ELS-2-18-12-G	XP BATT. LIGHT SYSTEM, 75W FOR 90 MIN		X			WM	33 5"	29"	12"		INCLUDES 2 FIXTURES, BATT. CHARGER, PUSH-TO-TEST STATION
"XPE2"	1	18	X							APPLETON ALB1050-1812 & AA GU1	XP BATT. EVER. LIGHT LONG BRACKET, W/ GUARD		X			WM	13"	17"	7"		TO BE USED IN CONJUNCTION WITH "XPE1"
"XPE3"	1	18	X							APPLETON ALB1050-1812 & C/BXPH	XP BATT. EVER. LIGHT LONG BRACKET, W/ 3-WAY BX1		X			WM	13"	17"	13"		TO BE USED IN CONJUNCTION WITH "XPE1"

LIGHTING FIXTURE "B" MOUNTING NOTE: HAPCO: BLACK POWDER, ROUND TAPERED ALUMINUM POLE W/ 2" TENON AND TRANSFORMER BASE, MOUNTING HEIGHT 25'-0".
NOTE: PROVIDE ALL INTERIOR LIGHTING CIRCUITS WITH OCCUPANCY SENSORS (NOT SHOWN).



CONSULTANTS

NO.	DATE	DESCRIPTION
1	8-11-09	PER ADDENDUM NO. 4
2	8-17-09	PER ADDENDUM NO. 5

PLAN SHEET DESIGNATION
COVER
G - GENERAL
H - HAZARDOUS MATERIALS
C - CIVIL
L - LANDSCAPE
S - STRUCTURAL
A - ARCHITECTURAL
I - INSTRUMENTATION
E - EQUIPMENT
F - FIRE PROTECTION
P - PLUMBING
M - MECHANICAL
T - ELECTRICAL
R - TELECOMMUNICATIONS
R - RESOURCE

PROJECT NO: 071731.40

SCALE: AS NOTED
DRAWING DATE: 3/30/09
DESIGNED BY: OKA
DRAWN BY: SLE
CHECKED BY: DJM

CLIENT
VILLAGE OF ITASCA, ILLINOIS
WASTEWATER TREATMENT PLANT RELOCATION

SHEET TITLE

MISCELLANEOUS ELECTRICAL DETAILS

E-4